

AcousticDesign™ Series



Quick Start Guide

Set the Transformer Tap Switch

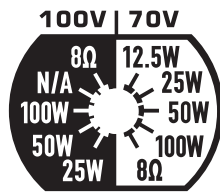


NOTE: The AD-S12 does not have a transformer setting

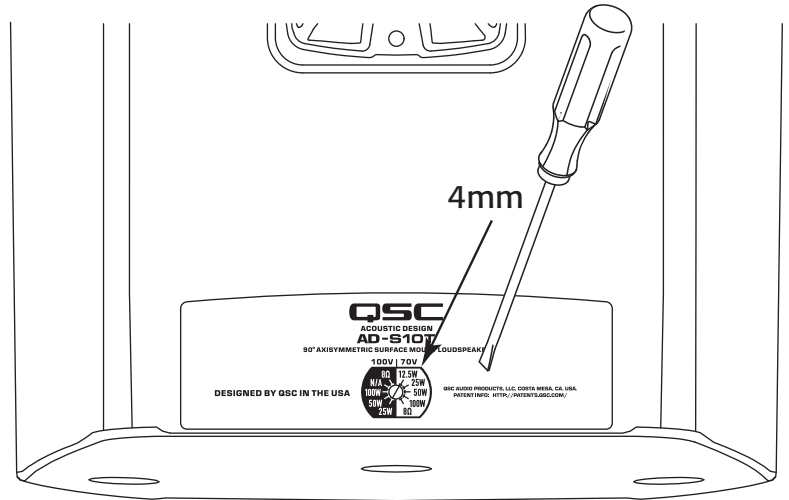
AD-S10T

100 Volt	70 Volt
8 Ω	8 Ω
N/A	100W
100W	50W
50W	25W
25W	12.5W

– Table 1 –



– Figure 2 –

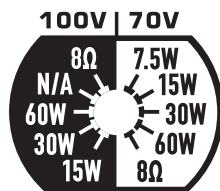


– Figure 1 –

AD-S6T, AD-S8T

100 Volt	70 Volt
8 Ω	8 Ω
N/A	60W
60W	30W
30W	15W
15W	7.5W

– Table 2 –



– Figure 3 –

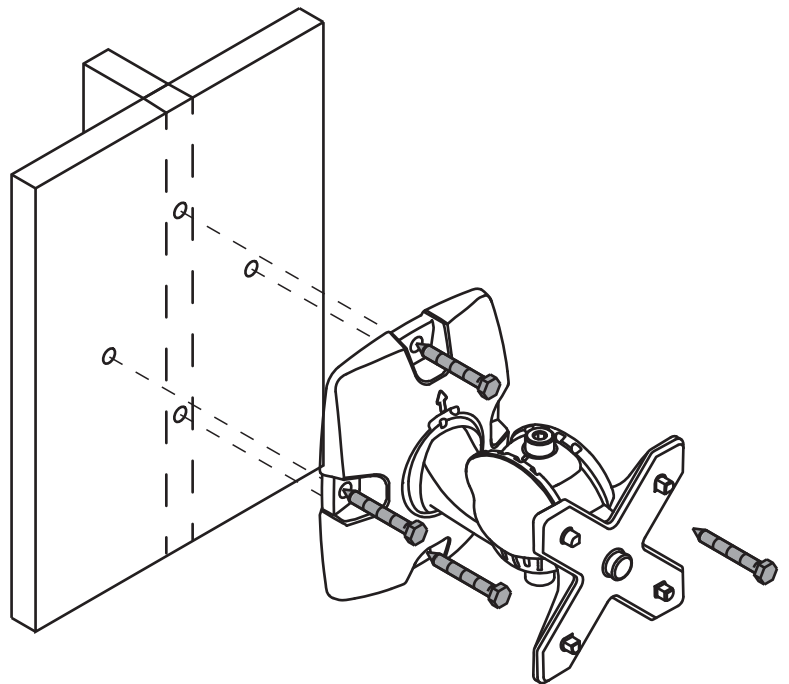
Install the X-Mount™ Bracket



WARNING!: Install the system in accordance with local building codes and regulations. Use a licensed contractor or professional engineer. QSC Audio Products is not responsible for damages resulting from the negligent installation of any bracket or loudspeaker.

Refer to Figure 4

1. Mount to a surface capable of supporting the weight of the loudspeaker.



– Figure 4 –

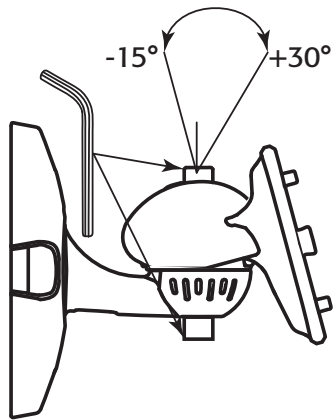
TD-000330-00-C



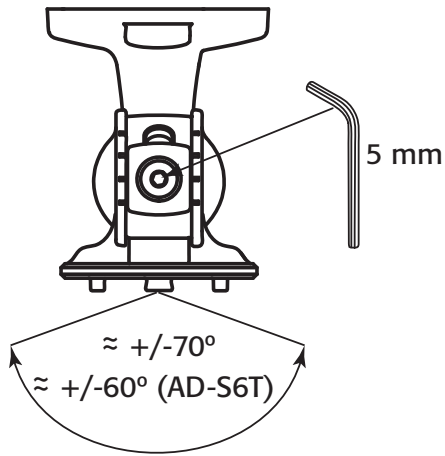
Adjust the Angle of the Bracket



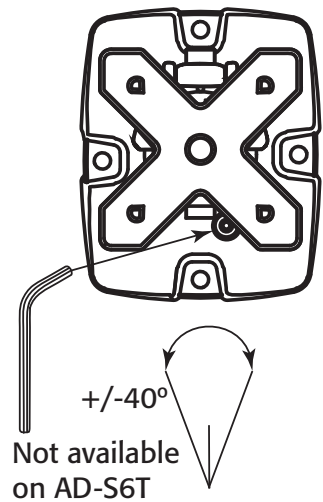
NOTE: This step may be done now or after mounting the loudspeaker.



SIDE



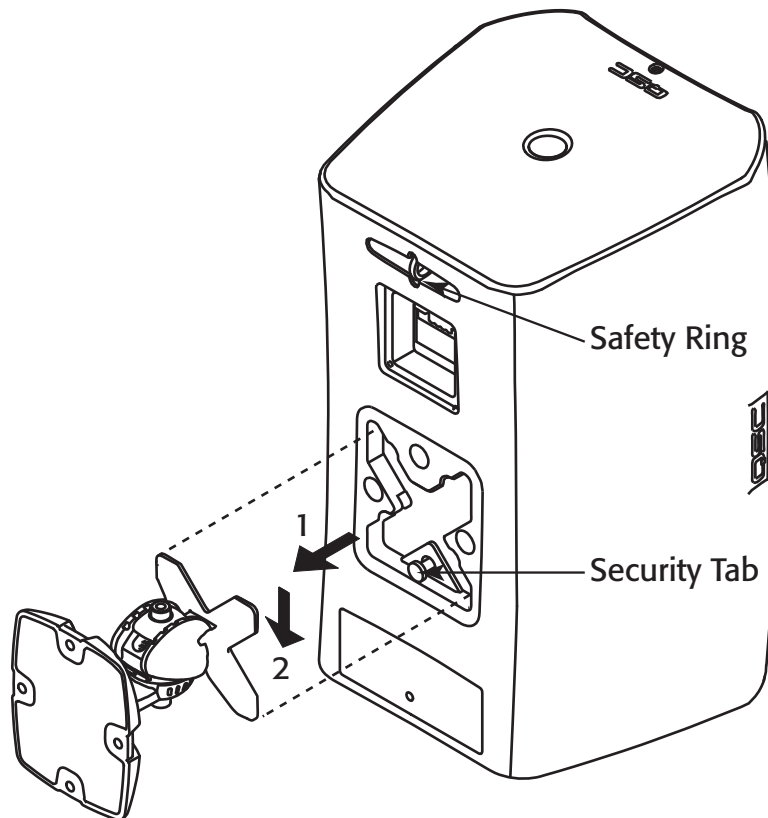
TOP



FRONT

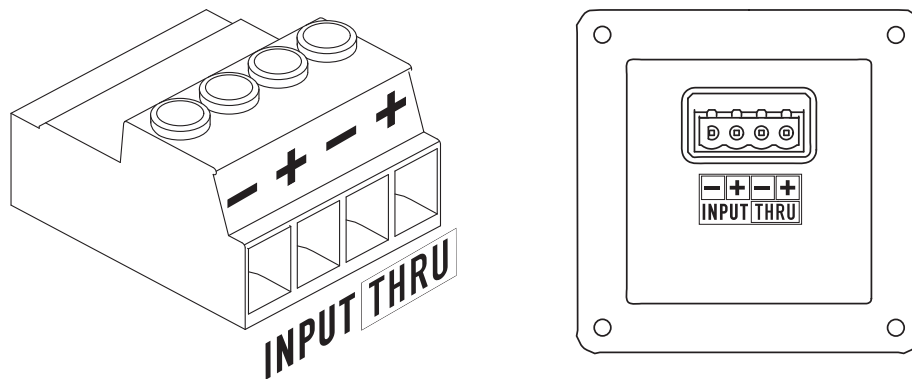
– Figure 5 –

Mount the Loudspeaker on the X-Mount™ Bracket



– Figure 6 –

Wire the Loudspeaker



– Figure 7 –

Warranty

For a copy of the QSC Limited Warranty, visit the QSC Audio Products website at www.qsc.com

Para una copia de la Garantía Limitada de QSC, visite el sitio web de QSC Audio Products, en www.qsc.com

Pour obtenir une copie de la garantie limitée de QSC, visitez le site de QSC Audio Products à www.qsc.com

Besuchen Sie die Webseite von QSC Audio Products (www.qsc.com) um eine Kopie der beschränkte Garantie von QSC zu erhalten.

如果想要QSC 有限保修的複印本，造QSC 音品的网站www.qsc.com



Mailing Address:

QSC Audio Products, LLC
1675 MacArthur Boulevard
Costa Mesa, CA 92626-1468 USA

Telephone Numbers:

Main Number: (714) 754-6175
Sales & Marketing: (714) 957-7100 or toll free (USA only) (800) 854-4079
Customer Service: (714) 957-7150 or toll free (USA only) (800) 772-2834

Facsimile Numbers:

Sales & Marketing FAX: (714) 754-6174
Customer Service FAX: (714) 754-6173

World Wide Web:

www.qsc.com

E-mail:

info@qsc.com
service@qsc.com
tech_support@qsc.com

If you would like a full copy of the AcousticDesign User manual, visit the QSC Audio Products website at www.qsc.com, or contact Customer Service +1 714 957-7150 or toll free (USA only) (800) 772-2834 to receive a copy by mail.

Si desea obtener una copia completa del manual del usuario de la AcousticDesign, visite el sitio web de QSC Audio Products en www.qsc.com, o póngase en contacto con el Servicio al Cliente al +1 714 957-7150 o sin costo (sólo en EE.UU.) al (800) 772-2834 para recibir una copia por correo.

Pour obtenir un exemplaire complet du manuel d'utilisation de la AcousticDesign, allez sur le site Web QSC Audio Products à www.qsc.com ou contactez le service clientèle au +1 714 957-7150 ou au (800) 772-2834 (numéro vert - USA seulement) pour recevoir un exemplaire par courrier.

Ein vollständiges Exemplar des Benutzerhandbuchs für die AcousticDesign finden Sie auf der QSC Audio Products-Website unter www.qsc.com. Sie können sich unter +1 714 957-7150 oder unter der (nur in den USA) gebührenfreien Nummer +1 (800) 772-2834 auch an den Kundendienst wenden, um sich ein Exemplar zuschicken zu lassen.

如果您需要 AcousticDesign 产品用户手册的完整副本，请访问 QSC 音频产品网站 www.qsc.com，或致电客户服务部门 +1 714 957-7150，或拨打免费电话（仅限美国）(800) 772-2834 通过邮件获取副本。