

CLAREMONT SERIES

Claremont is a striking-looking yet ergonomic cinema seat offering swing back or fixed back version and features a built-in headrest for added comfort. Coupled with this, its retractable cup holder arms offer a love-seat option making Claremont a highly cost-effective and extremely comfortable seat that will prove a welcome addition or replacement for any cinema.



LS-11602



LS-11602N



LS-11602W



LS-11602XW

FEATURES



LS-11602



LS-11602W/LS-11602XW



LS-11602N

Back

- One-piece, injection moulded, high impact polypropylene outerback for ease of maintenance.
- Optional swing back or fixed back
- 3 kinds of back pleats available
- Foam density: $55 \pm 5\text{kg/m}^3$



Seat

- One-piece, injection moulded, high impact polypropylene seat pan for ease of maintenance.
- Ergonomic seat cushion design ensures maximum comfort
- Foam density: $65 \pm 5\text{kg/m}^3$
- Cushion thickness: 120mm (4.7")
- Tip-up seat by counterweight mechanism ensures lifetime of smooth operation

FEATURES

Arm

- Flip-up integral cupholder armrest helps for added user space
- Optional with or without padding

End panel & Leg

- Optional end panel (LS-11602XW)
- Steel leg, powder coated



Other optional features

- Seat number and row letter
- LED-lit aisle light, only available in LS-11602XW
- Leatherette headrest
- Embroidery logo or numbering
- CA117/BS5852 fire-retardant finish on foam or upholstery



Seat number on seat pan

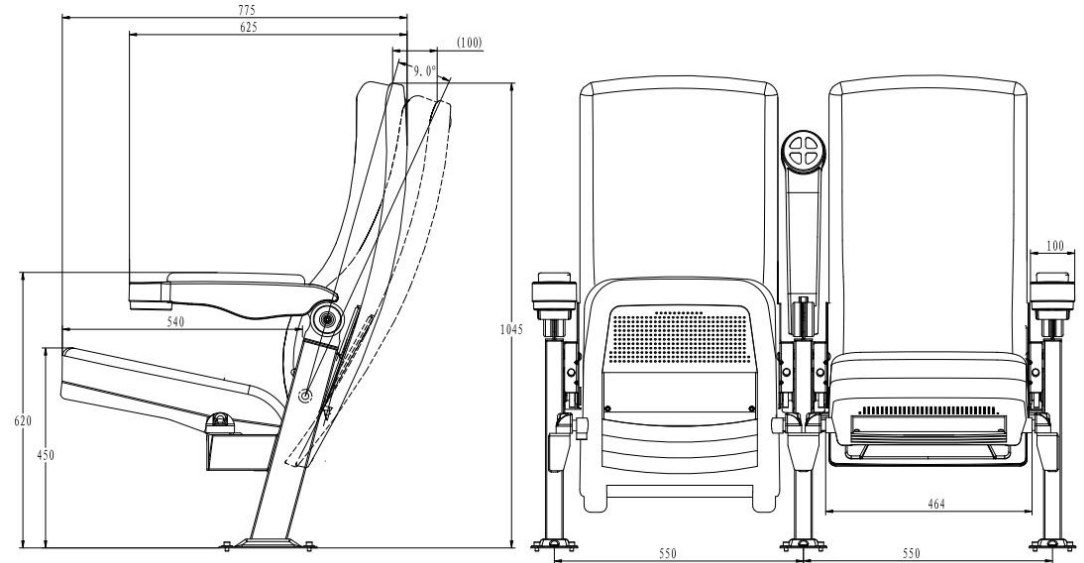


Row letter



Embroidery logo

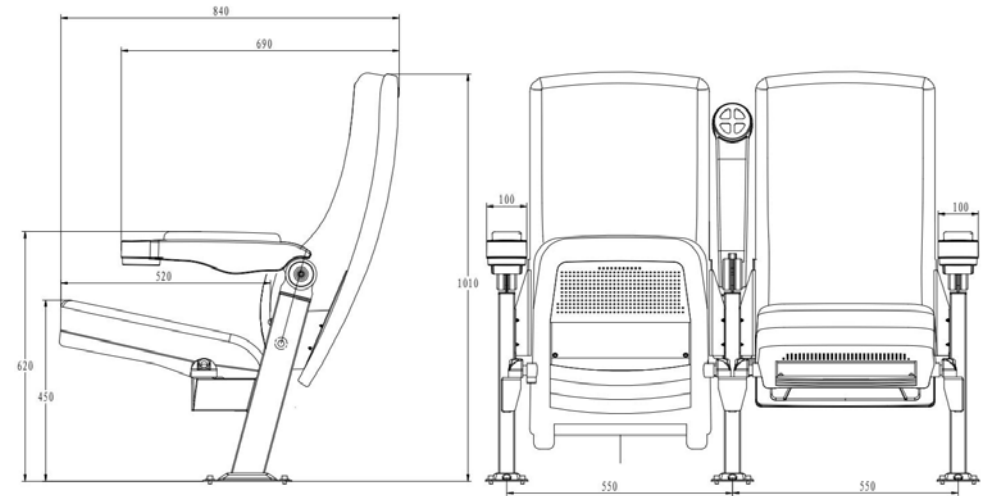
Claremont LS-11602



Description	MM	INCH
C/C (arm center to center)	550	21.7
Arm width	100	3.9
Overall depth before swing	775	30.5
Overall depth wth full swing	875	34.4
Inner seat depth	540	21.3
Floor to seat height	450	17.7
Floor to armrest height	620	24.4
Overall height	1045	41.1

Note: A tolerance of ± 10 mm (0.4") is allowed for the above dimension.

Claremont LS-11602N



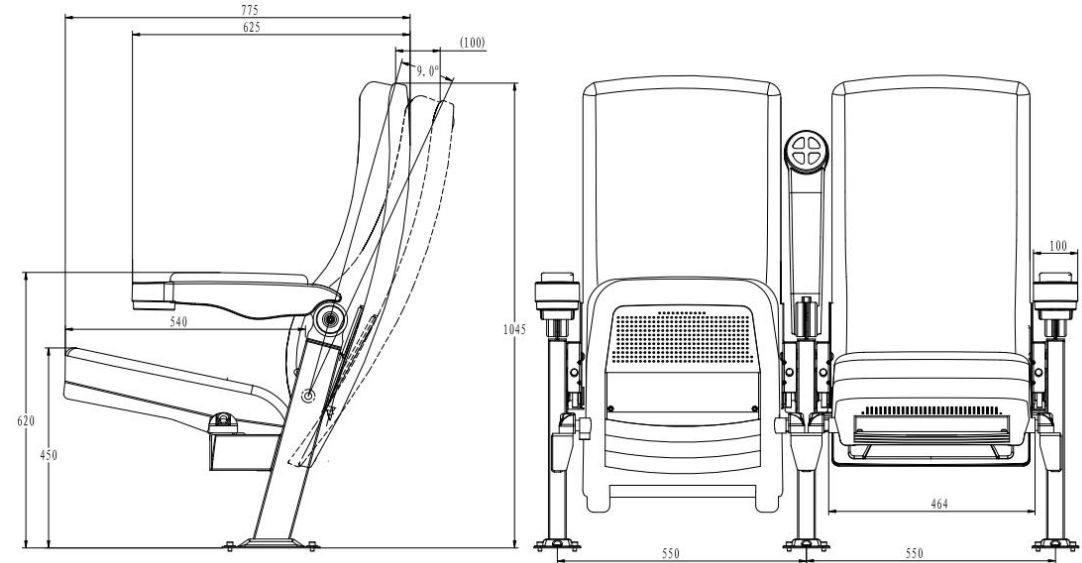
Back cushion in largest back pitch



Description	MM	INCH
C/C (arm center to center)	550	21.7
Arm width	100	3.9
Overall depth	840	33
Inner seat depth	520	20.5
Floor to seat height	450	17.7
Floor to armrest height	620	24.4
Overall height	1010	39.8

Note: A tolerance of ± 10 mm (0.4") is allowed for the above dimension.

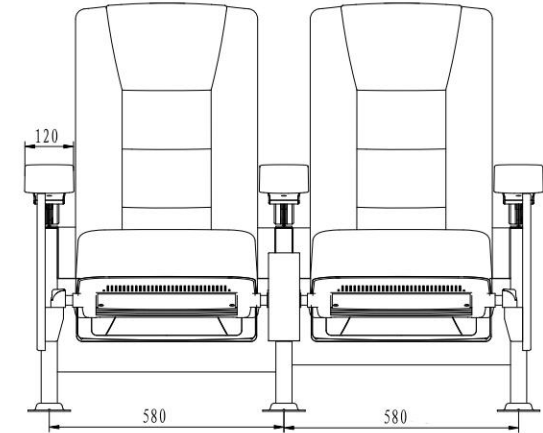
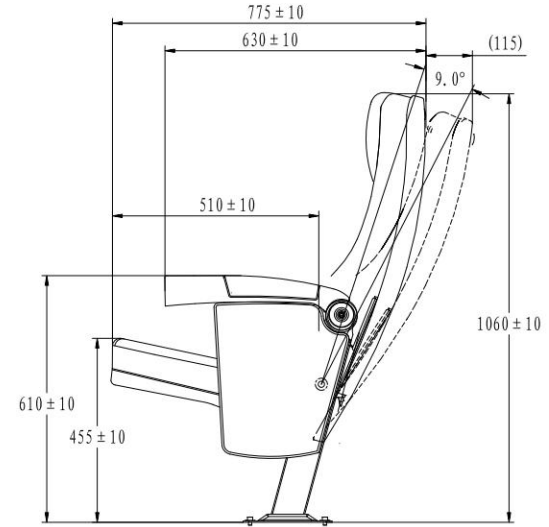
Claremont LS-11602W



Description	MM	INCH
C/C (arm center to center)	550	21.7
Arm width	100	3.9
Overall depth before swing	775	30.5
Overall depth wth full swing	875	34.4
Inner seat depth	540	21.3
Floor to seat height	450	17.7
Floor to armrest height	620	24.4
Overall height	1045	41.1

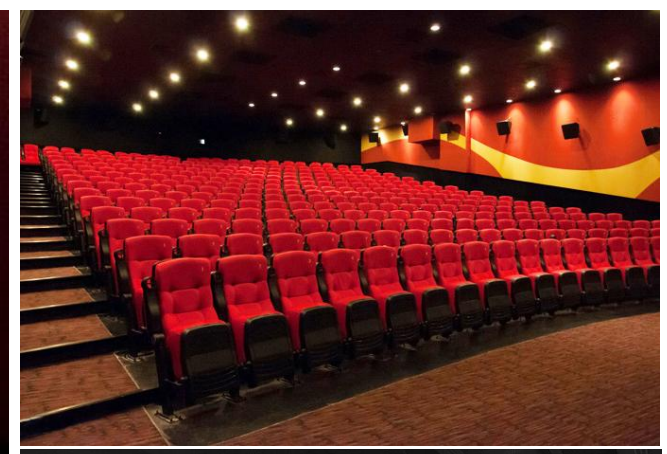
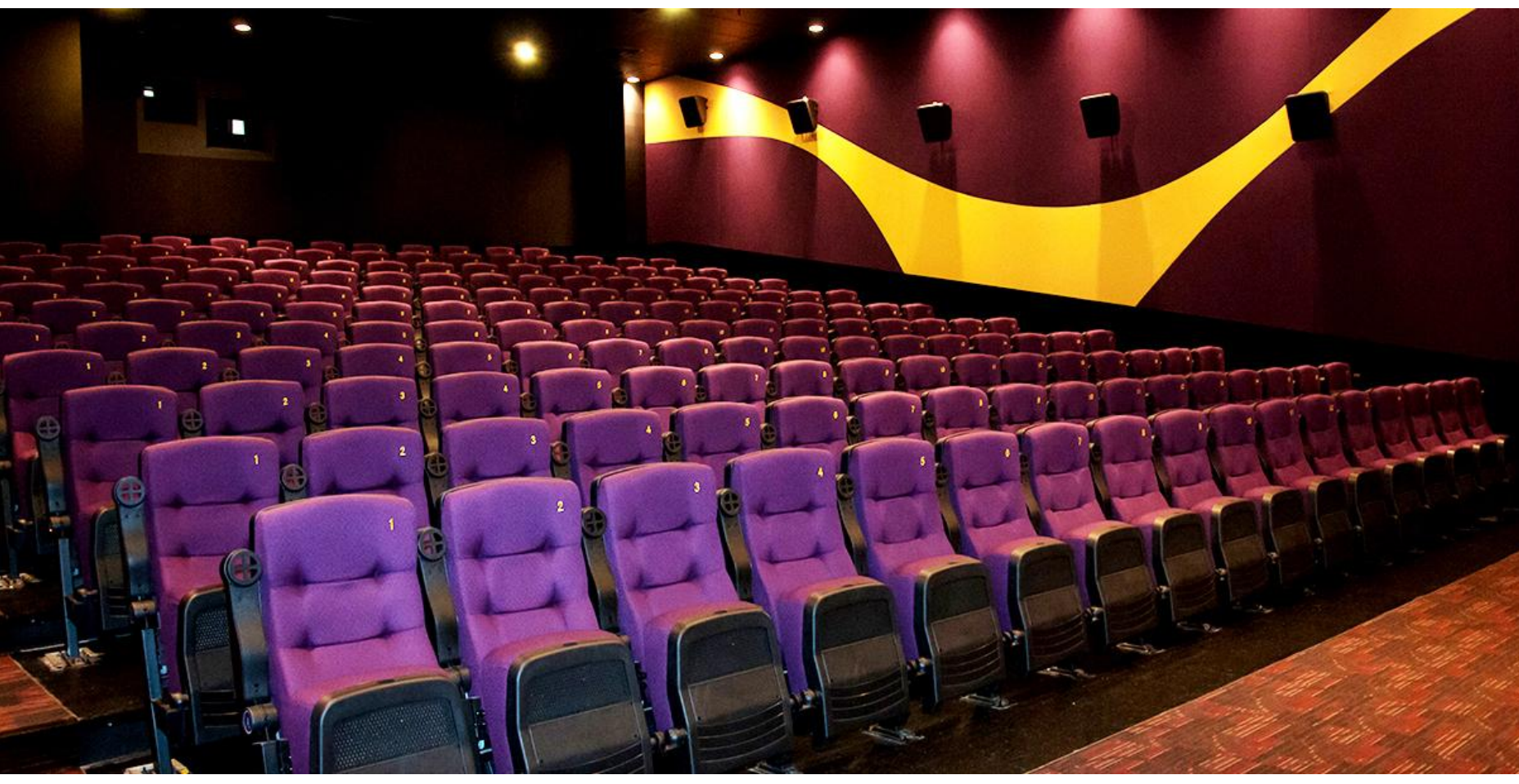
Note: A tolerance of ± 10 mm (0.4") is allowed for the above dimension.

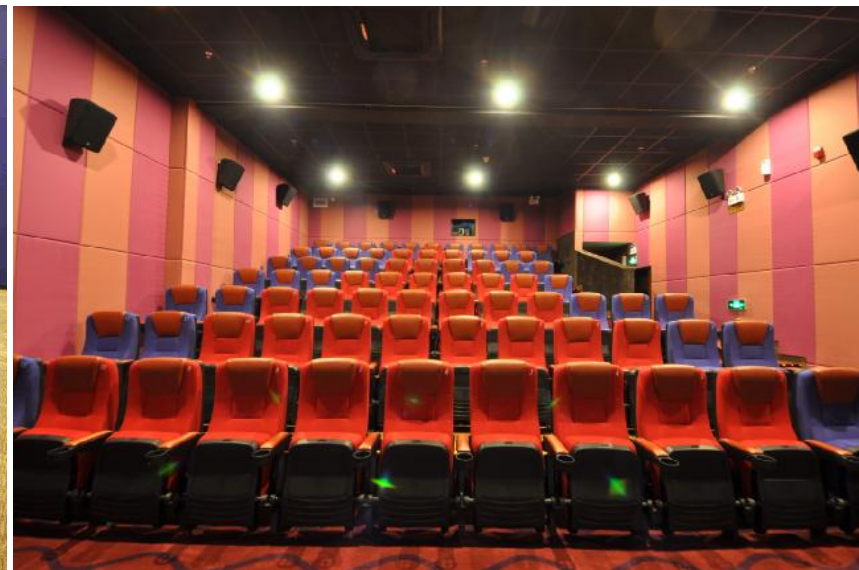
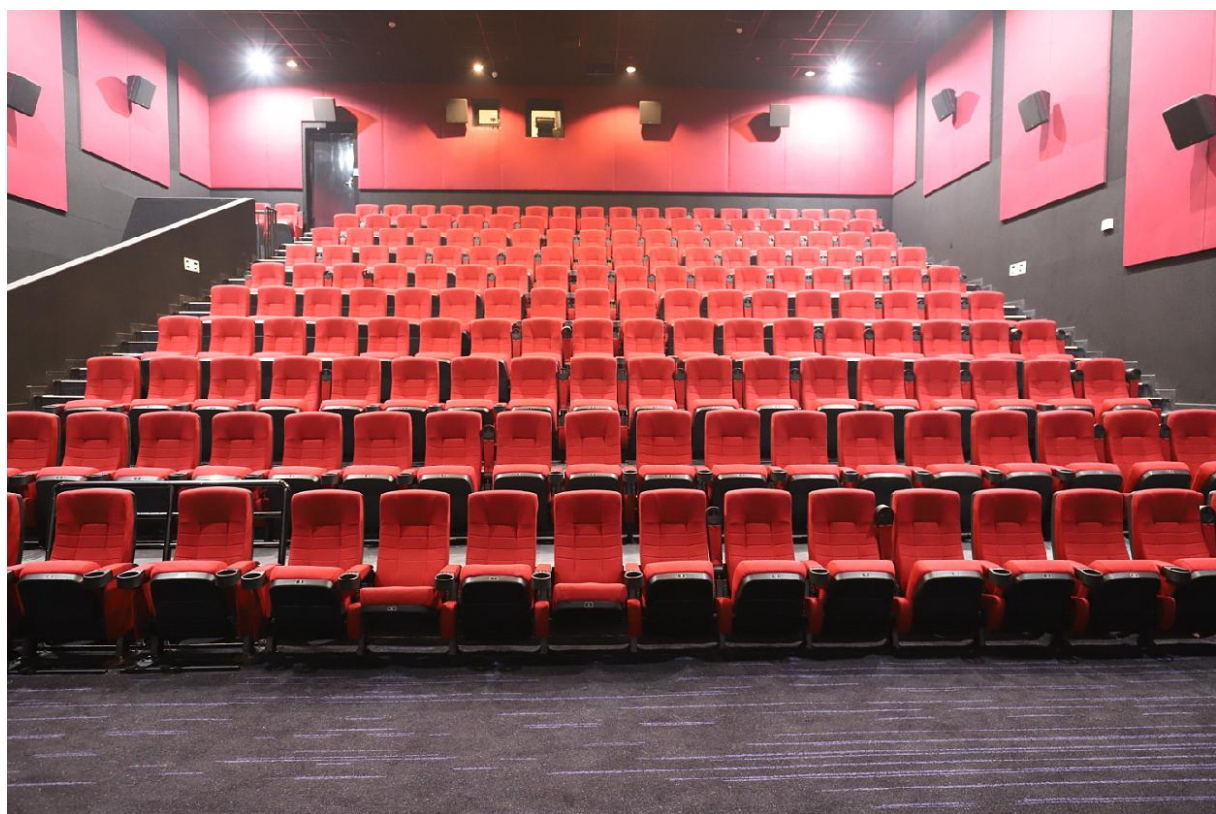
Claremont LS-11602XW

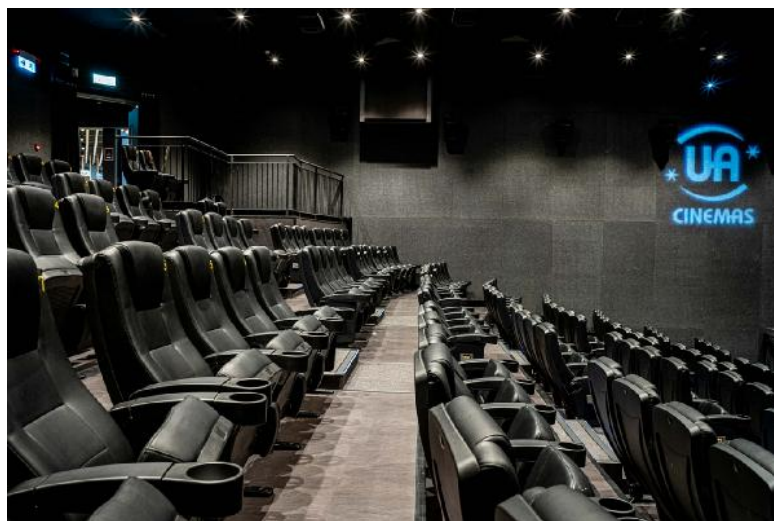


Description	MM	INCH
C/C (arm center to center)	580	22.8
Arm width	120	4.7
Overall depth before swing	775	30.5
Overall depth wth full swing	890	35
Inner seat depth	510	20.1
Floor to seat height	455	17.9
Floor to armrest height	610	24
Overall height	1060	41.7

Note: A tolerance of ± 10 mm (0.4") is allowed for the above dimension.







QUALITY CONTROL WE ALWAYS SEE THE BIG PICTURE. EVEN WITH THE SMALLEST COMPONENT



CALIFORNIA
PROPOSITION 65 WARNING
Diesel engine exhaust and some of its components are known to the State of California to cause cancer, birth defects, and other reproductive harm.



<p>SGS</p> <p>Test Report No. 10201400000077 Date: Dec 30, 2014</p> <p>GUANGZHOU LANGSHI DEVELOPMENT CO., LTD. NO. 17888 BUILDING, NO. 111 GUANGZHOU TIANHE DISTRICT, GUANGZHOU, CHINA</p> <p>The following sample(s) were submitted and identified on behalf of the client as: Sample Description: ALUMINUM CHAIR Style: New Item Manufacturer: FOSHAN LANGSHI SEATING CO., LTD. Sample Receiving Date: Dec 16, 2014 Test Performing Date: Dec 16, 2014 to Dec 30, 2014</p> <p>Test Result Summary</p> <p>EN1176:2002 PASS</p> <p>Signed for and on behalf of: SGS-COTY Co. Ltd.</p> <p>Wing Approved signatory</p>	<p>SGS</p> <p>Test Report No. 10201400000078 Date: Dec 30, 2014</p> <p>GUANGZHOU LANGSHI DEVELOPMENT CO., LTD. NO. 17888 BUILDING, NO. 111 GUANGZHOU TIANHE DISTRICT, GUANGZHOU, CHINA</p> <p>The following sample(s) were submitted and identified on behalf of the client as: Sample Description: FURNITURE POLYURETHANE SEATING Manufacturer: FOSHAN LANGSHI SEATING CO., LTD. Sample Receiving Date: Dec 16, 2014 Test Performing Date: Dec 16, 2014 to Dec 30, 2014</p> <p>Test Result Summary</p> <p>EN1176:2002 PASS</p> <p>Signed for and on behalf of: SGS-COTY Co. Ltd.</p> <p>Wing Approved signatory</p>	<p>SGS</p> <p>Test Report No. 10201400000079 Date: Dec 30, 2014</p> <p>GUANGZHOU LANGSHI DEVELOPMENT CO., LTD. NO. 17888 BUILDING, NO. 111 GUANGZHOU TIANHE DISTRICT, GUANGZHOU, CHINA</p> <p>The following sample(s) were submitted and identified on behalf of the client as: Sample Description: FURNITURE POLYURETHANE SEATING Manufacturer: FOSHAN LANGSHI SEATING CO., LTD. Sample Receiving Date: Dec 16, 2014 Test Performing Date: Dec 16, 2014 to Dec 30, 2014</p> <p>Test Result Summary</p> <p>EN1176:2002 PASS</p> <p>Signed for and on behalf of: SGS-COTY Co. Ltd.</p> <p>Wing Approved signatory</p>	<p>MTS</p> <p>Report No.: 00217-007315 Revised Date: Oct 11, 2017</p> <p>Applicant: FOSHAN LANGSHI SEATING CO., LTD. No. 17888 Building, No. 111 Guangzhou Tianhe District, Guangzhou City, China</p> <p>Sample Description: Furniture Material: Polyurethane Color: Blue Quantity: 1000 Country of Origin: China Manufacturer: FOSHAN LANGSHI SEATING CO., LTD. Sample Receiving Date: Oct 11, 2017 Test Performing Date: Oct 11, 2017 to Oct 11, 2017</p> <p>Test Result Summary</p> <p>EN1176:2002 PASS</p> <p>Signed for and on behalf of: SGS-COTY Co. Ltd.</p> <p>Wing Approved signatory</p>	<p>SGS</p> <p>Test Report No. 10201400000078 Date: Jan 16, 2015</p> <p>FOSHAN LANGSHI SEATING CO., LTD. NO. 17888 BUILDING, NO. 111 GUANGZHOU TIANHE DISTRICT, GUANGZHOU, CHINA</p> <p>The following sample(s) were submitted and identified on behalf of the client as: Sample Description: FURNITURE POLYURETHANE SEATING Manufacturer: FOSHAN LANGSHI SEATING CO., LTD. Sample Receiving Date: Jan 16, 2015 Test Performing Date: Jan 16, 2015 to Jan 20, 2015</p> <p>Test Result Summary</p> <p>EN1176:2002 PASS</p> <p>Signed for and on behalf of: SGS-COTY Co. Ltd.</p> <p>Wing Approved signatory</p>	<p>SGS</p> <p>Test Report No. 10201400000078 Date: Jan 16, 2015</p> <p>FOSHAN LANGSHI SEATING CO., LTD. NO. 17888 BUILDING, NO. 111 GUANGZHOU TIANHE DISTRICT, GUANGZHOU, CHINA</p> <p>The following sample(s) were submitted and identified on behalf of the client as: Sample Description: FURNITURE POLYURETHANE SEATING Manufacturer: FOSHAN LANGSHI SEATING CO., LTD. Sample Receiving Date: Jan 16, 2015 Test Performing Date: Jan 16, 2015 to Jan 20, 2015</p> <p>Test Result Summary</p> <p>EN1176:2002 PASS</p> <p>Signed for and on behalf of: SGS-COTY Co. Ltd.</p> <p>Wing Approved signatory</p>	<p>GS</p> <p>Report No. 10201400000078 Date: Jan 21, 2015 Page 1 of 4</p> <p>LANGSHI SEATING DEVELOPMENT CO., LTD. NO. 17888 BUILDING, NO. 111 GUANGZHOU TIANHE DISTRICT, GUANGZHOU, CHINA</p> <p>The following sample(s) were submitted and identified on behalf of the client as: Sample Description: FURNITURE POLYURETHANE SEATING Manufacturer: FOSHAN LANGSHI SEATING CO., LTD. Sample Receiving Date: Jan 21, 2015 Test Performing Date: Jan 21, 2015 to Jan 21, 2015</p> <p>Test Result Summary</p> <p>EN1176:2002 PASS</p> <p>Signed for and on behalf of: SGS-COTY Co. Ltd.</p> <p>Wing Approved signatory</p>	<p>GS</p> <p>Report No. 10201400000078 Date: Jan 16, 2015 Page 1 of 2</p> <p>LANGSHI SEATING DEVELOPMENT CO., LTD. NO. 17888 BUILDING, NO. 111 GUANGZHOU TIANHE DISTRICT, GUANGZHOU, CHINA</p> <p>The following sample(s) were submitted and identified on behalf of the client as: Sample Description: FURNITURE POLYURETHANE SEATING Manufacturer: FOSHAN LANGSHI SEATING CO., LTD. Sample Receiving Date: Jan 16, 2015 Test Performing Date: Jan 16, 2015 to Jan 20, 2015</p> <p>Test Result Summary</p> <p>EN1176:2002 PASS</p> <p>Signed for and on behalf of: SGS-COTY Co. Ltd.</p> <p>Wing Approved signatory</p>	<p>WANGYU</p> <p>Report No. 10201400000078 Date: Aug 18, 2015 Page 1 of 2</p> <p>LANGSHI SEATING DEVELOPMENT CO., LTD. NO. 17888 BUILDING, NO. 111 GUANGZHOU TIANHE DISTRICT, GUANGZHOU, CHINA</p> <p>The following sample(s) were submitted and identified on behalf of the client as: Sample Description: FURNITURE POLYURETHANE SEATING Manufacturer: FOSHAN LANGSHI SEATING CO., LTD. Sample Receiving Date: Aug 18, 2015 Test Performing Date: Aug 18, 2015 to Aug 18, 2015</p> <p>Test Result Summary</p> <p>EN1176:2002 PASS</p> <p>Signed for and on behalf of: SGS-COTY Co. Ltd.</p> <p>Wing Approved signatory</p>	<p>WANGYU</p> <p>Report No. 10201400000078 Date: Aug 18, 2015 Page 1 of 2</p> <p>LANGSHI SEATING DEVELOPMENT CO., LTD. NO. 17888 BUILDING, NO. 111 GUANGZHOU TIANHE DISTRICT, GUANGZHOU, CHINA</p> <p>The following sample(s) were submitted and identified on behalf of the client as: Sample Description: FURNITURE POLYURETHANE SEATING Manufacturer: FOSHAN LANGSHI SEATING CO., LTD. Sample Receiving Date: Aug 18, 2015 Test Performing Date: Aug 18, 2015 to Aug 18, 2015</p> <p>Test Result Summary</p> <p>EN1176:2002 PASS</p> <p>Signed for and on behalf of: SGS-COTY Co. Ltd.</p> <p>Wing Approved signatory</p>	<p>WANGYU</p> <p>Report No. 10201400000078 Date: Aug 18, 2015 Page 1 of 2</p> <p>LANGSHI SEATING DEVELOPMENT CO., LTD. NO. 17888 BUILDING, NO. 111 GUANGZHOU TIANHE DISTRICT, GUANGZHOU, CHINA</p> <p>The following sample(s) were submitted and identified on behalf of the client as: Sample Description: FURNITURE POLYURETHANE SEATING Manufacturer: FOSHAN LANGSHI SEATING CO., LTD. Sample Receiving Date: Aug 18, 2015 Test Performing Date: Aug 18, 2015 to Aug 18, 2015</p> <p>Test Result Summary</p> <p>EN1176:2002 PASS</p> <p>Signed for and on behalf of: SGS-COTY Co. Ltd.</p> <p>Wing Approved signatory</p>
--	--	--	---	---	---	--	--	--	--	--





LEADCOM

Your New Seating Experience

LEADCOM CHINA



+0086 400 885 5535



info@leadcomseating.com



14/F, Yinhui Building, No. 117 Longyi Road, Tianhe District,
Guangzhou, Guangdong, China 510635



No. 10th, Section D, High-tech Industrial Zone, Leping Town, Sanshui District,
Foshan City, Guangdong Province, China 528100

LEADCOM CANADA



+1 289 813 2301



wtang@leadcomseating.com



2275 Upper Middle Rd. East, Suite 101, Oakville, ON L6H 0C3

LEADCOM EUROPE



+31 6260 84850



info@leadcomseating.nl



C. De Haasweg 30D, 3721 TK Bilthoven, The Netherlands