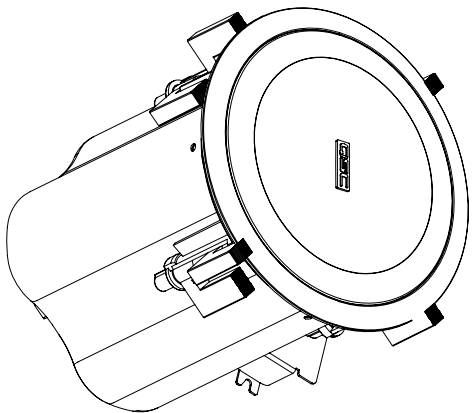
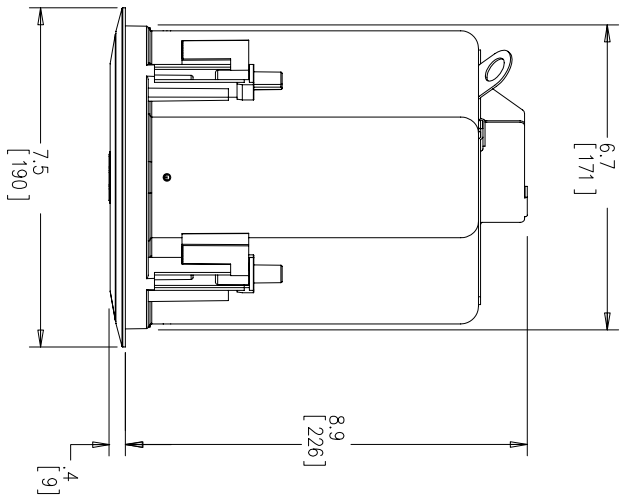
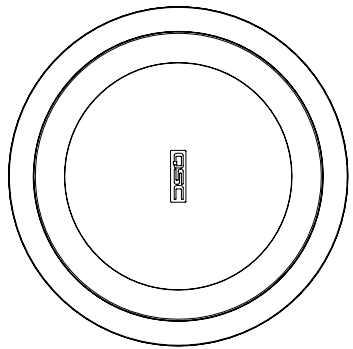


THIS DRAWING IS THE PROPERTY OF QSC AUDIO PRODUCTS, INC. IT IS TO BE USED ONLY FOR THE PROJECT AND QUANTITY SPECIFIED. IT IS NOT TO BE REPRODUCED OR TRANSMITTED IN ANY FORM OR BY ANY MEANS, ELECTRONIC OR MECHANICAL, INCLUDING PHOTOCOPYING, RECORDING, OR BY ANY INFORMATION STORAGE AND RETRIEVAL SYSTEM.



REV		DESCRIPTION		EFF DATE	CHK	APVD
A	PRODUCTION RELEASE PER ECO	8386	AA	11-09-07	LE	DD

REVISIONS

UNLESS OTHERWISE SPECIFIED DIMENSIONS ARE IN INCHES. TOLERANCES ARE: DECIMALS DECIMALS ANGLES XX ±.02 XXX ±.010 ±1/2 DEBURR EDGES .010 R MAX

CONTRACT NO.	APPROVALS	DATE
	A. ARANDA	29-Oct-07
	M. HARRIS	11-02-07
	G. ISCHETTER	11-06-07
	D. DELARM	11-09-07

QSC AUDIO PRODUCTS, INC.
1675 MACARTHUR BOULEVARD
COSTA MESA, CA 92626

SPEAKER, FINISHED,
AD-C42

FINISH	DO NOT SCALE DRAWING	MODEL NO.	SCALE	DWG NO.	SHEET	REV
NONE		AD-C42 MANUAL, 500A, 1.0+	0.250	RD-000478-00	1 OF 1	A

- TOLERANCES (INCHES): .XX ± .13, ANGLES: ± 1°
 - NET WEIGHT APPROX. 1.81 KG (4.0 LBS).
- NOTE: UNLESS OTHERWISE SPECIFIED

8 7 6 5 4 3 2 1

A B C D