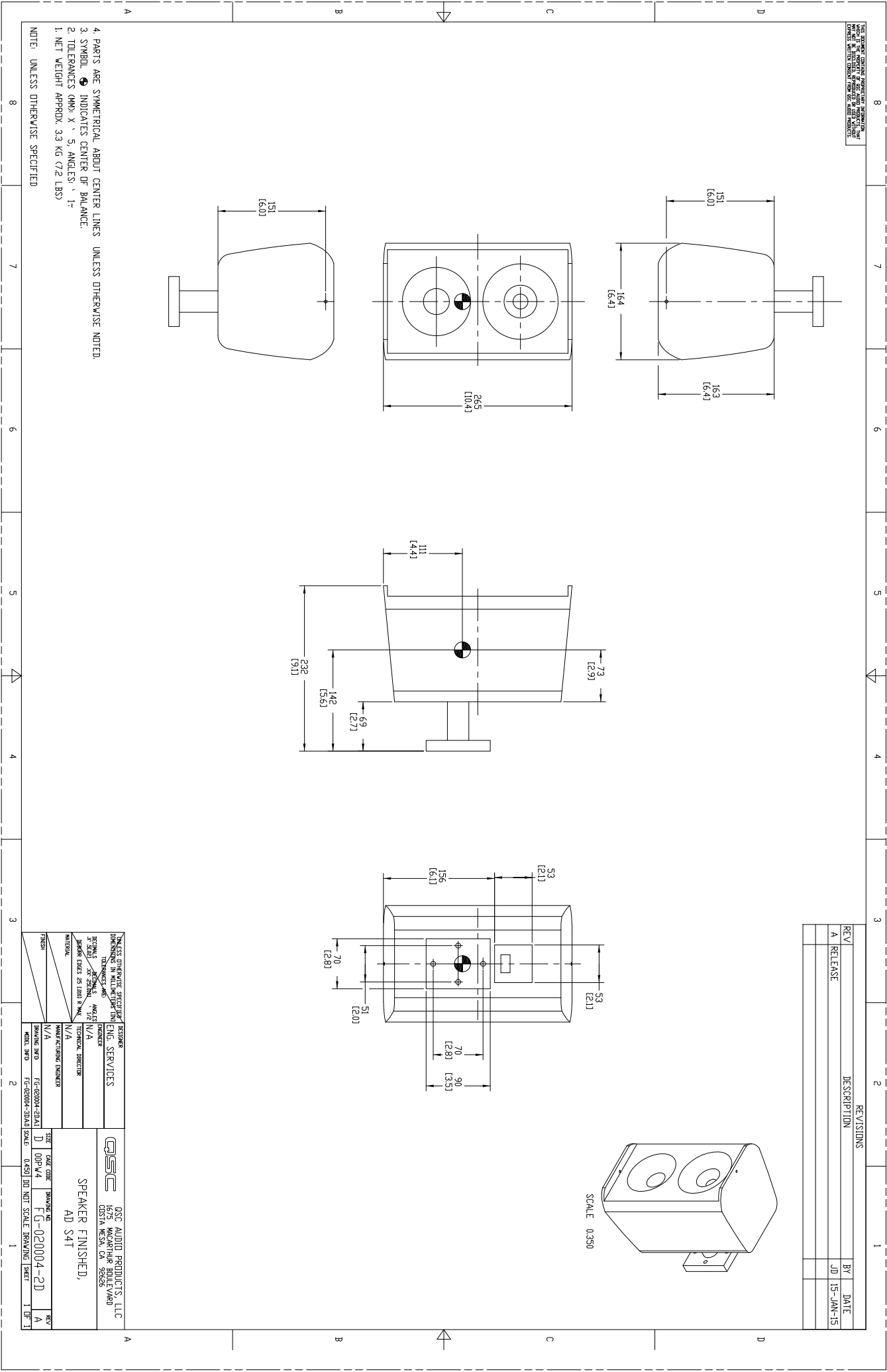
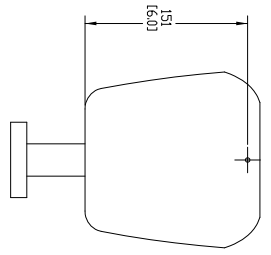
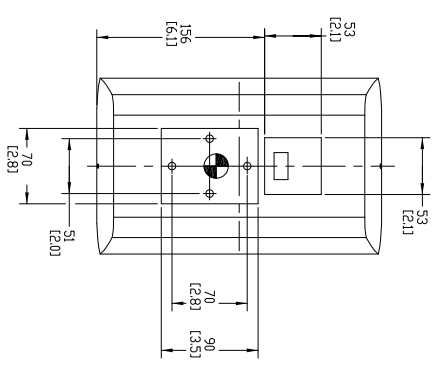
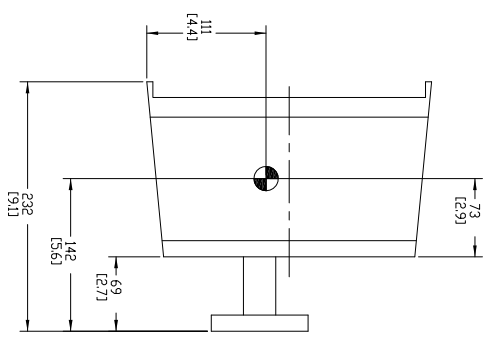
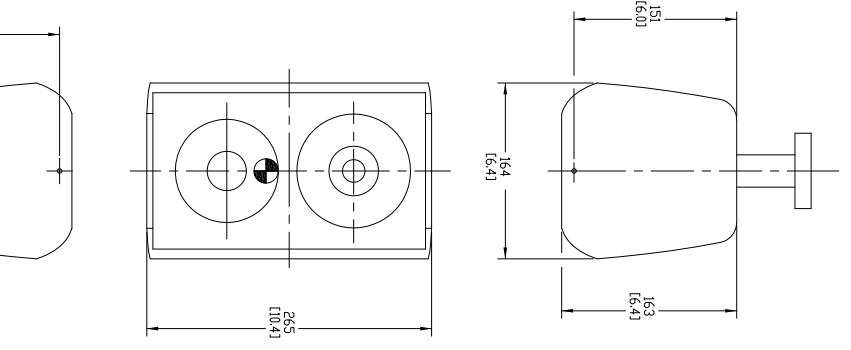
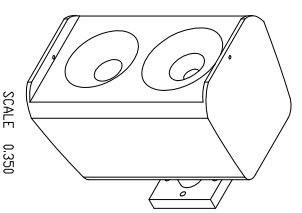


THIS DRAWING CONTAINS PROPRIETARY INFORMATION AND IS THE PROPERTY OF OSC AUDIO PRODUCTS, LLC. IT IS TO BE USED ONLY FOR THE PROJECT AND DATE SPECIFIED HEREON. ANY REUSE OR DISSEMINATION OF THIS DRAWING WITHOUT THE WRITTEN PERMISSION OF OSC AUDIO PRODUCTS, LLC IS STRICTLY PROHIBITED.

REVOLUTIONS		BY	DATE
REV	DESCRIPTION		
A	RELEASE	JJD	15-JAN-15



4. PARTS ARE SYMMETRICAL ABOUT CENTER LINES UNLESS OTHERWISE NOTED.
3. SYMBOL INDICATES CENTER OF BALANCE.
2. TOLERANCES (MM): X - .5, ANGLES - 1°
1. NET WEIGHT APPROX. 3.3 KG (7.2 LBS)

NOTE: UNLESS OTHERWISE SPECIFIED

UNLESS OTHERWISE SPECIFIED DIMENSIONS IN MILLIMETERS (MM)		DRAWING TITLE	
TERMINAL TOLERANCES	ANGLES	ENGINEER	ENGINEER
X .250	AS SHOWN	N/A	N/A
SPEAKER FACTS 29 (100) & 100 (400)		TECHNICAL DIRECTOR	
MATERIAL		MANUFACTURING ENGINEER	
FINISH		DRAWING NO.	
		FG-020004-20A1	
		MODEL INFO	
		FG-020004-20A0 SCALE	
		0.350 DO NOT SCALE DRAWING SHEET	
		1 OF 1	

**OSC AUDIO PRODUCTS, LLC**  
 1675 MACARTHUR BOULEVARD  
 COSTA MESA, CA 92626

**SPEAKER FINISHED,  
 AD S4T**